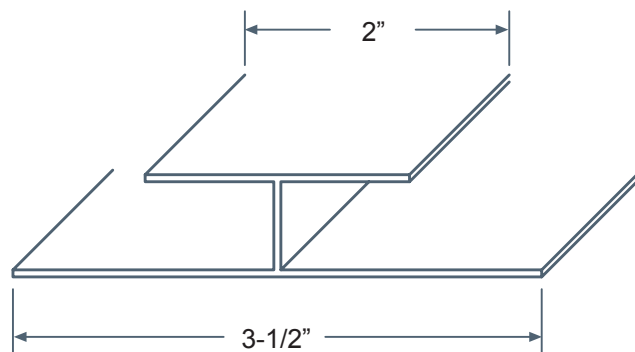
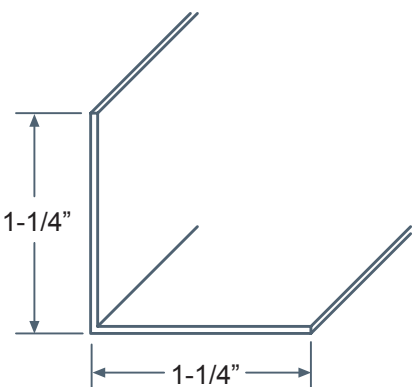


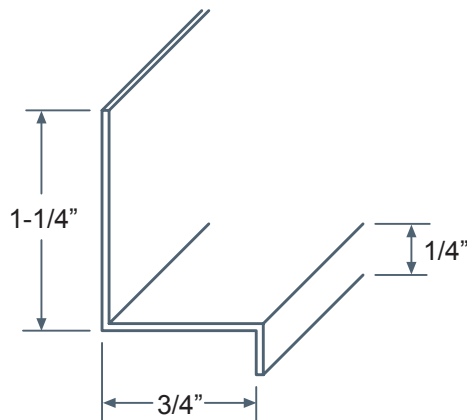
"J" Trim



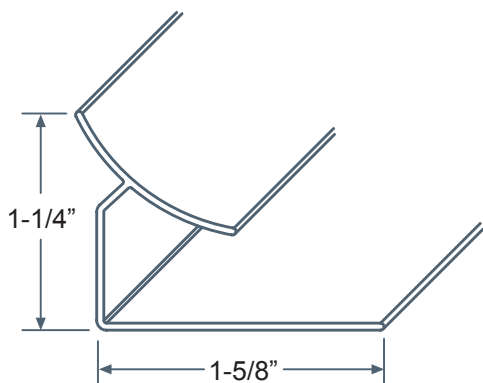
"H" Trim



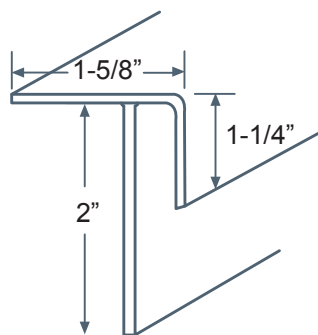
"L" Trim



Base Trim



Inside Cove



Outside Corner